

BERT FRANK

SHEAR TABLE LAMP

MAINTENANCE

- Unlacquered brass parts - stem and arm - can be cleaned with the abrasive pad (Scotch-Brite supplied).
- Lacquered brass shade should be wiped with a soft duster.
- Coloured parts can be wiped with a damp cloth (unplug from mains first).

TECHNICAL

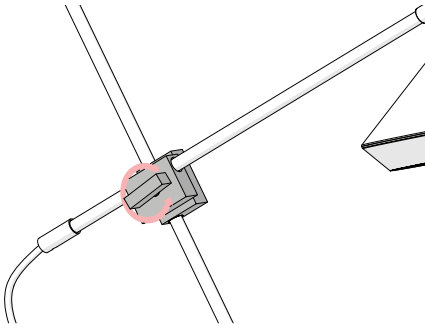
- 1 x G9 LED bulb

www.bertfrank.co.uk

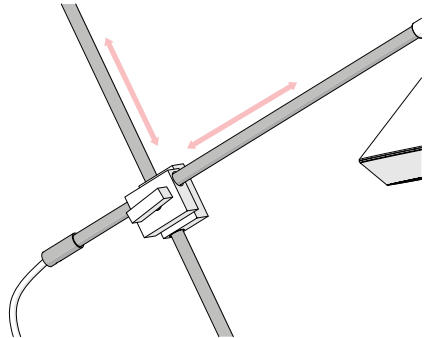
+44 (0)207 164 6482

INSTALLATION

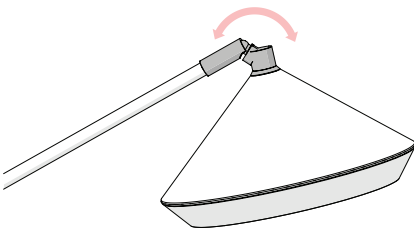
- 1**
- Turn the tightening block to loosen the connector blocks and arms.
 - Ensure that the arms of the light are supported as this is carried out. Be sure not to over loosen.



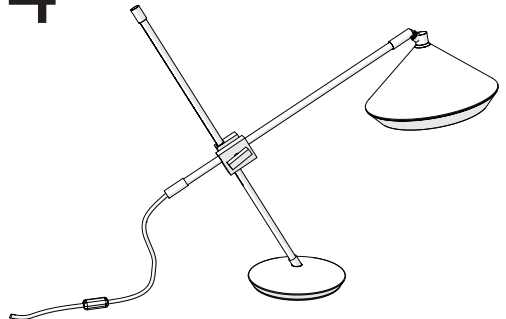
- 2**
- Adjust the angle of the arms of the shade as desired and then retighten the block.



- 3**
- Adjust the actual shade as desired to optimise the light angle.

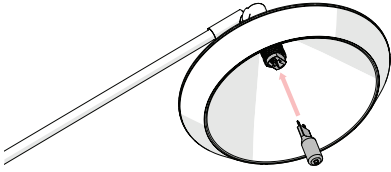


4



BULB REPLACEMENT

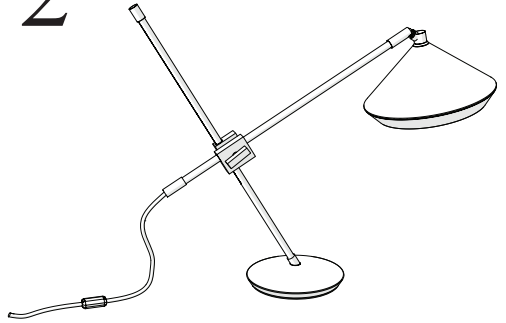
1 - Replace G9 bulbs by pushing them into lamp holder.



If lamp has been in use recently ensure you leave enough time for the old bulbs to cool down before removing them.



2



This product is only suitable for connection to the native power supply to which the unit was specifically manufactured. It is for indoor use only, and not suitable for a bathroom location.

If the Class II, double insulated symbol is on the lamp, it does not require an Earth, and Live or Neutral must not be connected to Earth. If there is no such symbol, then the lamp must be Earthed.

Under no circumstances must this table lamp be covered with any material as this could pose a safety hazard. It must be used on a stable, flat surface.

Never fit bulbs of a higher wattage than those specified on the label, as these may cause overheating and damage the fitting.

If the mains cable becomes damaged it must only be replaced by a technically competent, qualified person.

Allow 10 minutes to cool before replacing, adjusting or cleaning. Clean with a dry cloth only. Do not use liquid or abrasive cleaners on this product.

If you are in any doubt about your competence please consult a qualified electrician. If any modification is made it will invalidate the warranty and may render the product unsafe.
